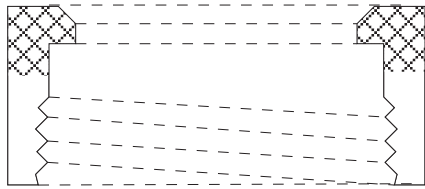
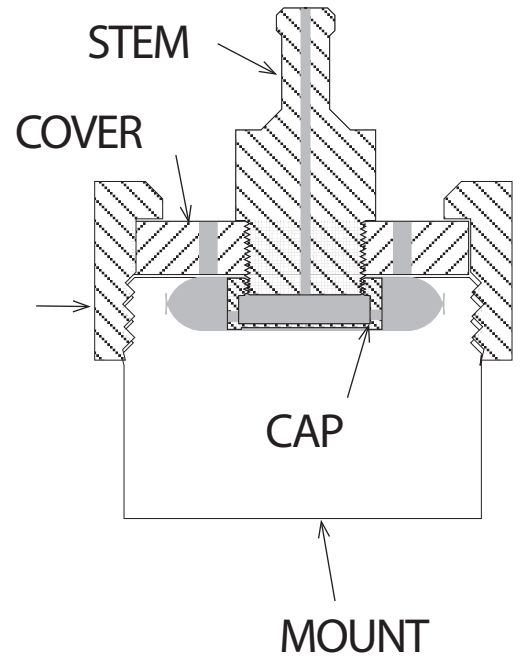


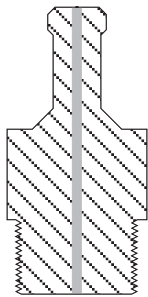
ZIRCON AIR ABRASION DEVICE

MASS SPECTROMETRY LAB
EARTH, ATMOSPHERIC, AND PLANETARY SCIENCES
MIT

Design by Clark Isachsen
(modified from Geological Survey of Canada)



COLLAR (Brass)



STEM (Brass)



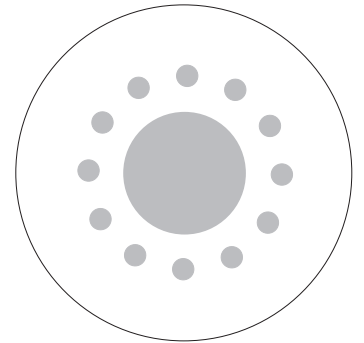
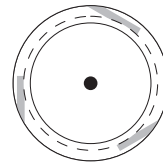
COVER (Stainless steel)



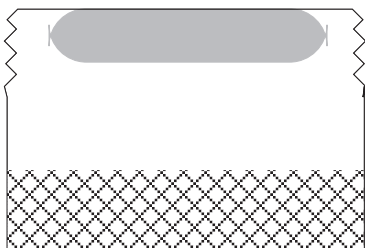
Disposable nylon seive cloth (400 mesh)



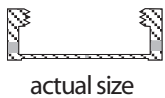
CAP (Stainless steel)



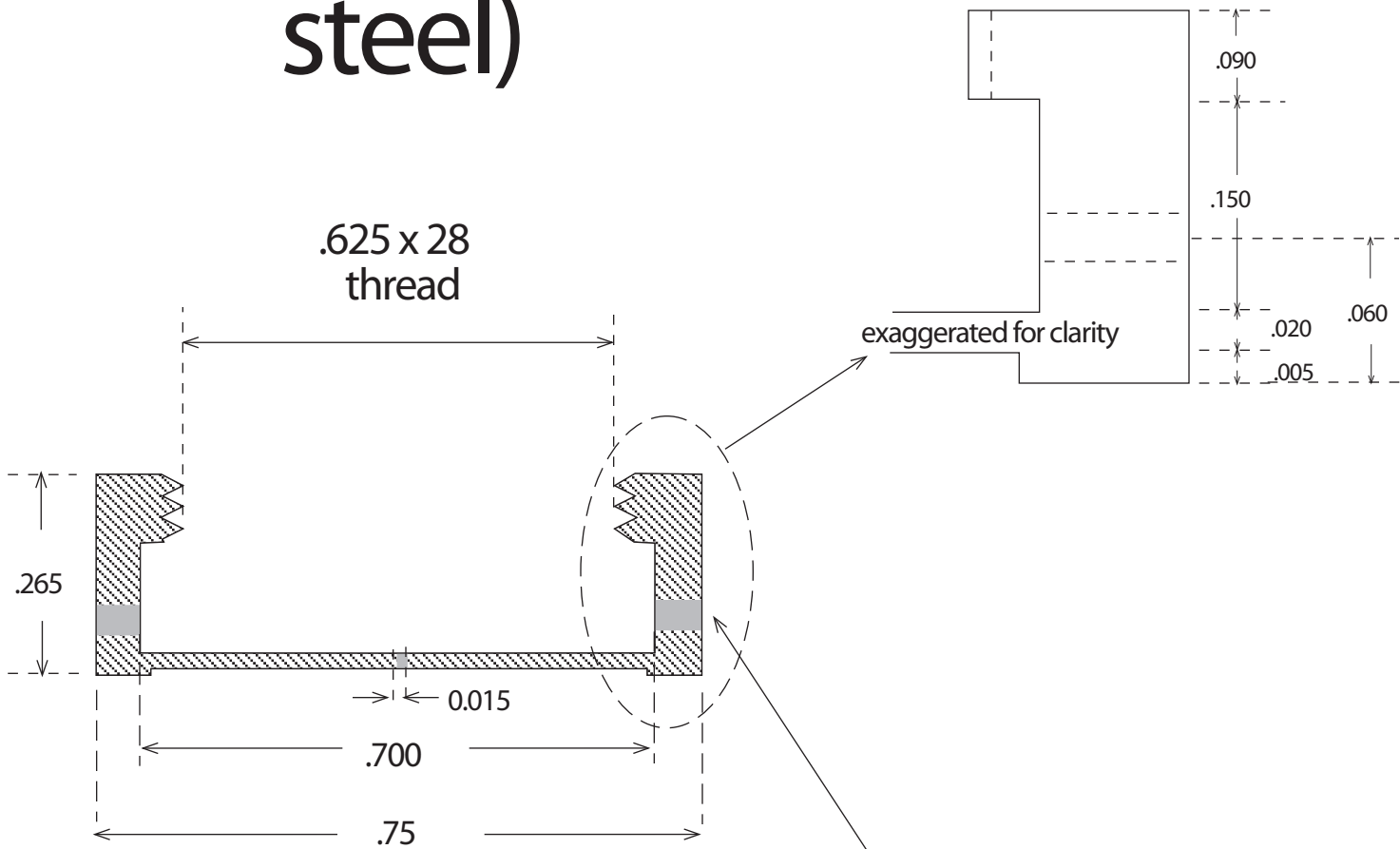
MOUNT (Stainless steel)



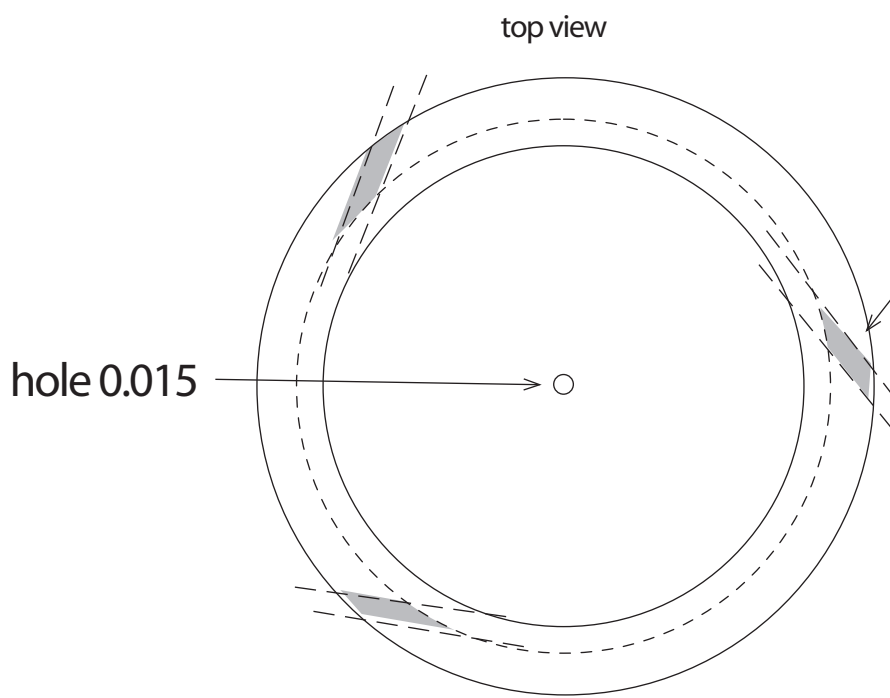
ACTUAL SIZE (APPROX.)

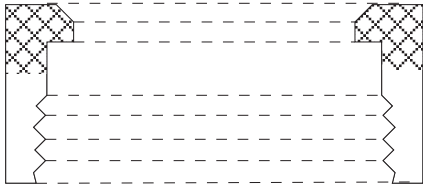


CAP (Stainless steel)

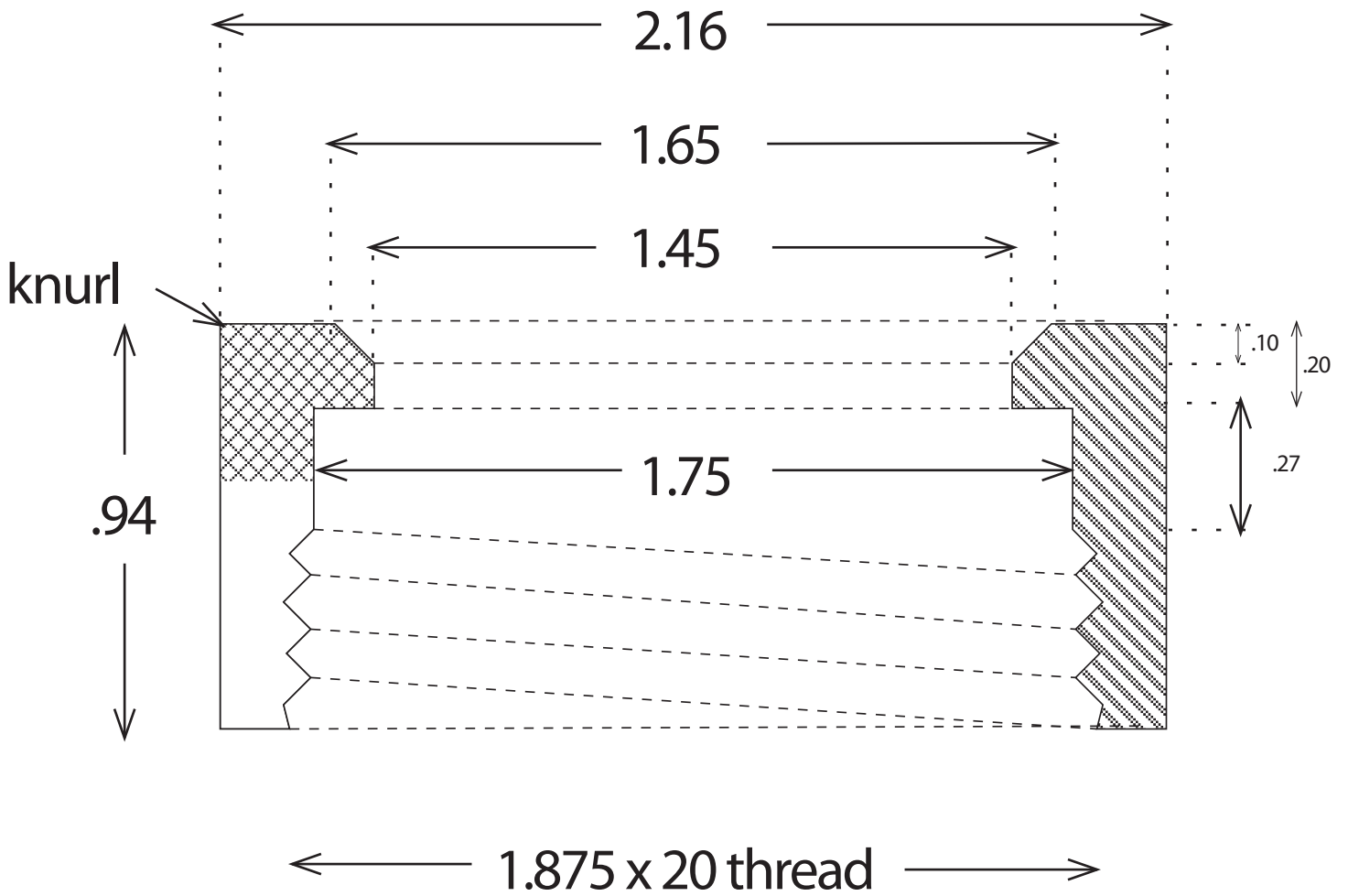


Three tangential holes 0.050 EQ spaced





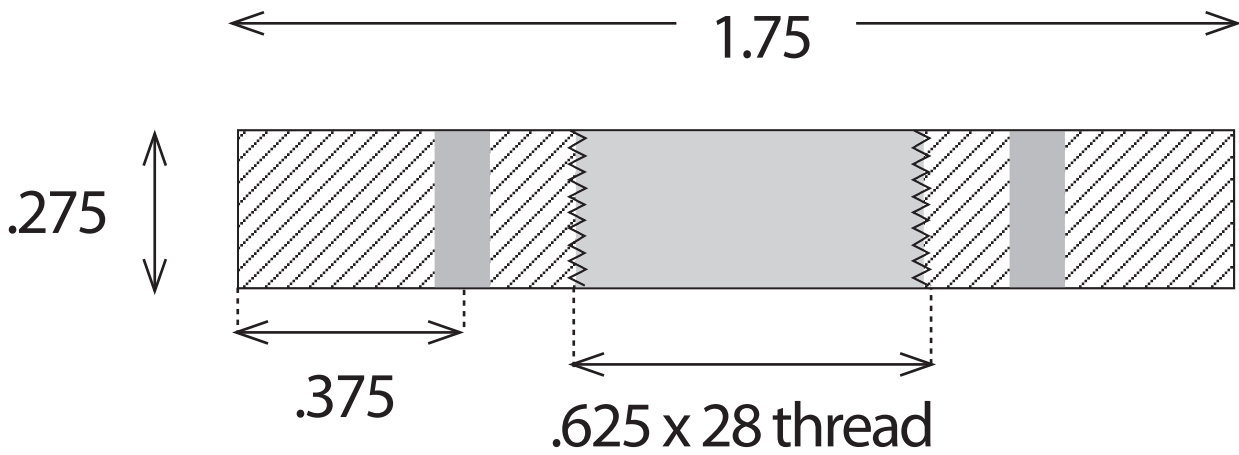
COLLAR (brass)



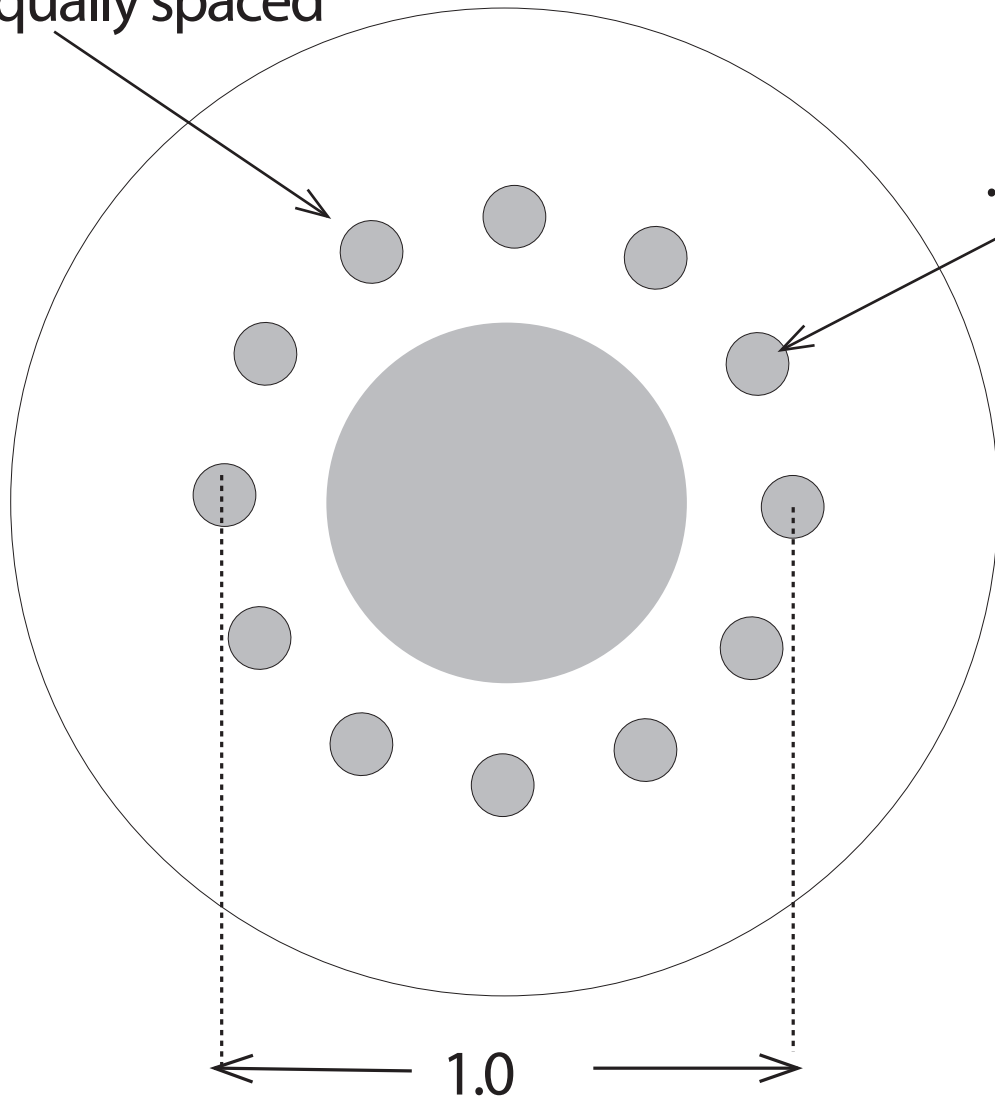
COVER (stainless steel)



actual size

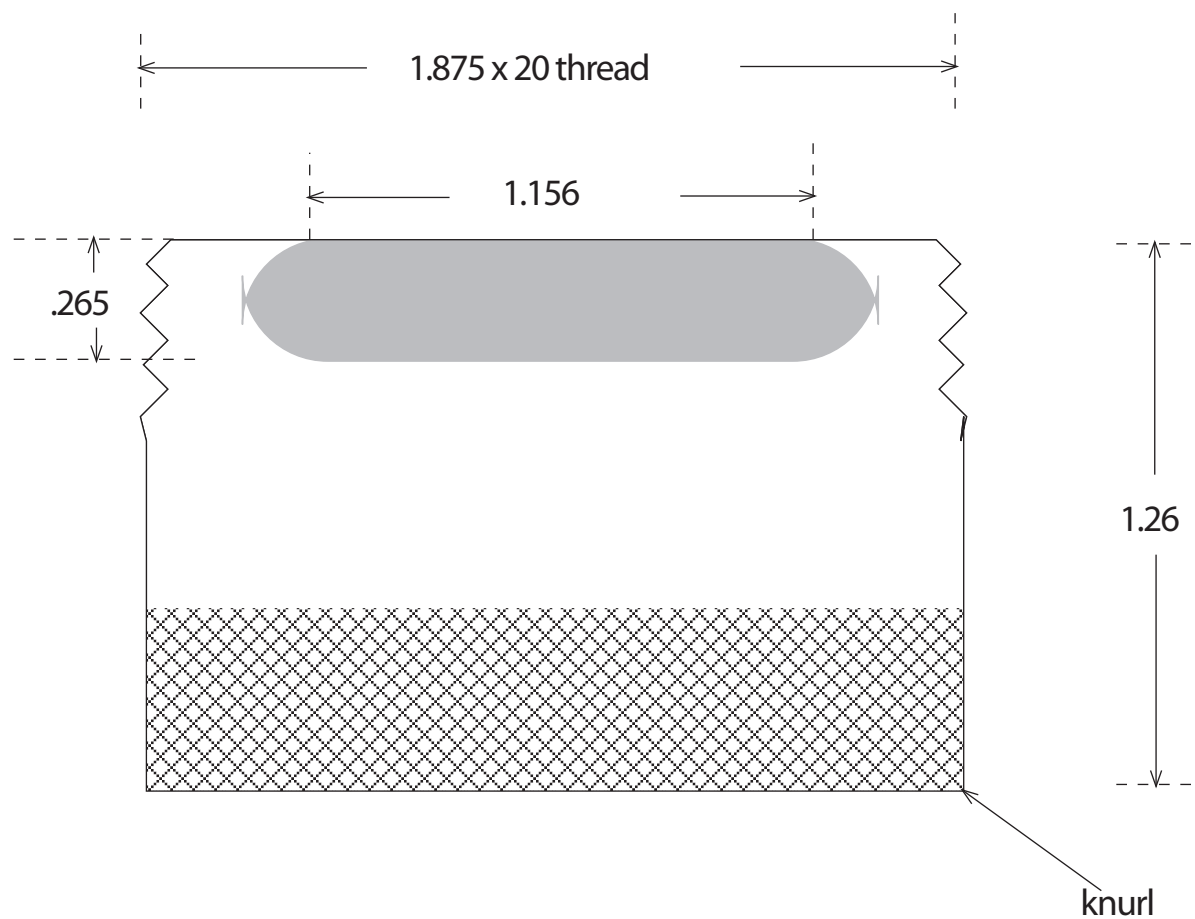
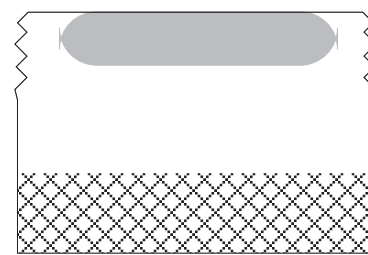


12 holes equally spaced

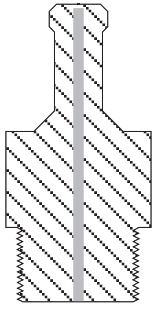


.116 dia.

MOUNT (Stainless steel)



NOTE: There should be no clearance between end of cap and interior of mount upon assembly with sieve cloth provided.



STEM (Brass)

